

# Eaton B809B-18HDG

Catalog Number: B809B-18HDG

Eaton B-Line series pole bracket, 24.75" H x 18" L x 7.1250" W,  
Steel, Hot-dipped galvanized

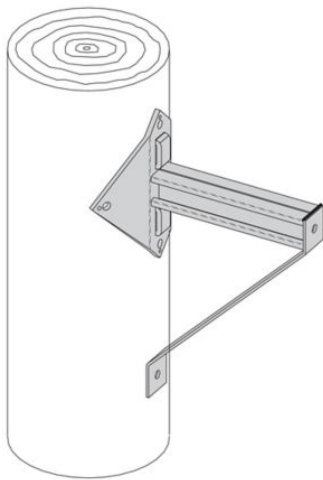


Photo is representative

## General specifications

Product Name	Catalog Number
Eaton B-Line series pole bracket	B809B-18HDG
UPC	Product Length/Depth
781011974657	18 in
Product Height	Product Width
24.75 in	7.125 in
Product Weight	Certifications
8.334 lb	Not Applicable

## Model

### Type

Bracket

## Material/finish

### Finish

Hot-dipped galvanized

### Material

Steel

## Resources

### Catalogs

[Strut Fittings Catalog Section](#)

[Channel Nuts and Hardware Catalog Section](#)

### Specifications and datasheets

[Eaton Specification Sheet - B809B-18HDG](#)



Eaton Corporation plc  
Eaton House  
30 Pembroke Road  
Dublin 4, Ireland  
Eaton.com  
© 2024 Eaton. All Rights Reserved.

Eaton is a registered trademark.

All other trademarks are property of their respective owners.



[Eaton.com/socialmedia](https://www.eaton.com/socialmedia)